



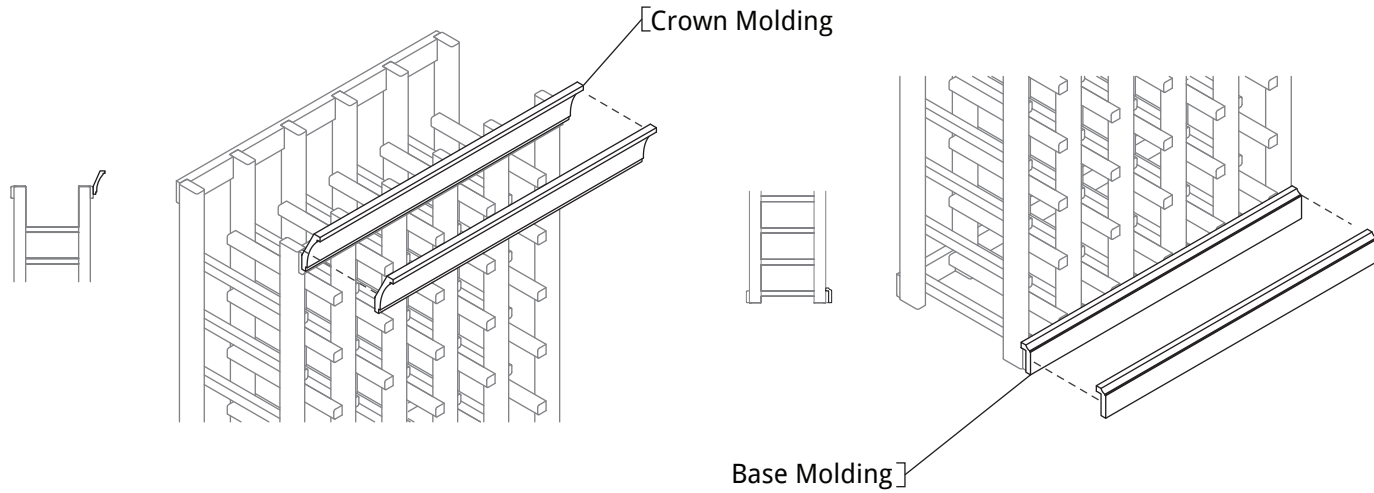
MOLDING AND TOP SHELF ASSEMBLY GUIDE

Questions?
888.373.6057

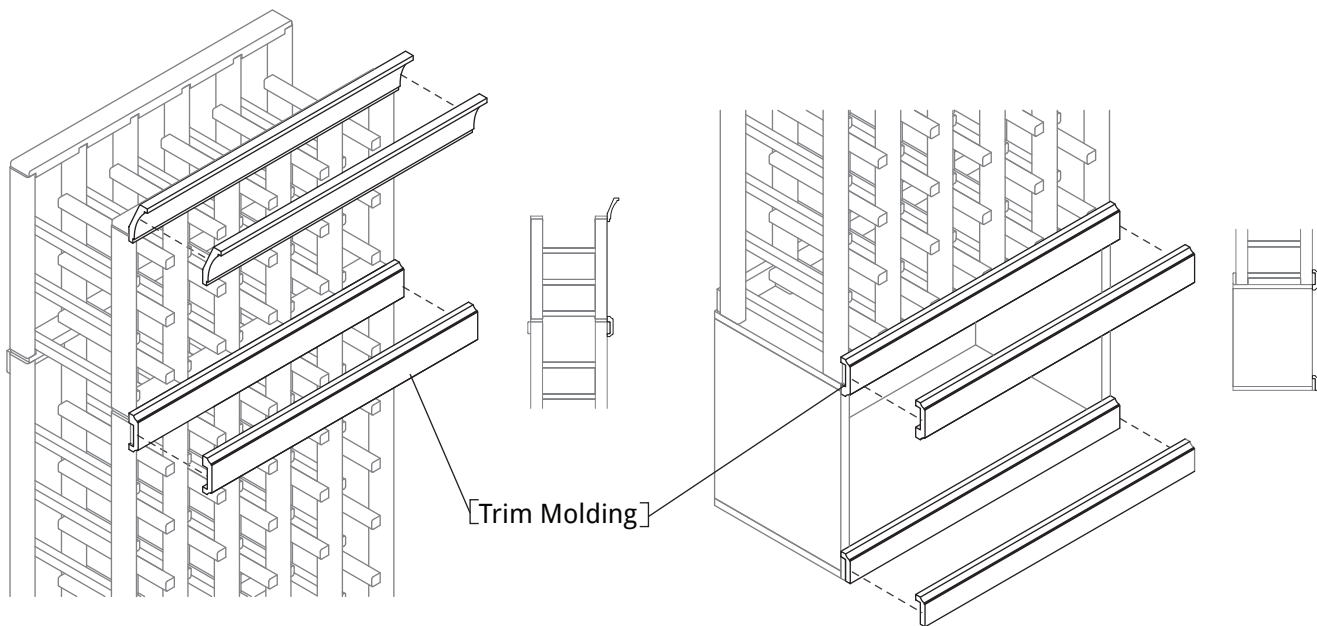
or visit
wineracksamerica.com

Page 1

For use with standard wine racks. Attach crown and base molding with wood glue or a small finish nail. Make a 45° miter cut on the ends of your 60" pieces if you have need to overlap more than 1 piece along a straightaway.



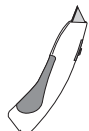
For use with Single Bottle and Bin Extenders. Attach trim molding using wood glue or a small finish nail. Trim should be attached between rack and extender.



TOOLS FOR ASSEMBLY



Finish Nailer



Utility Knife



Hammer



Wood Glue



Nail Setter



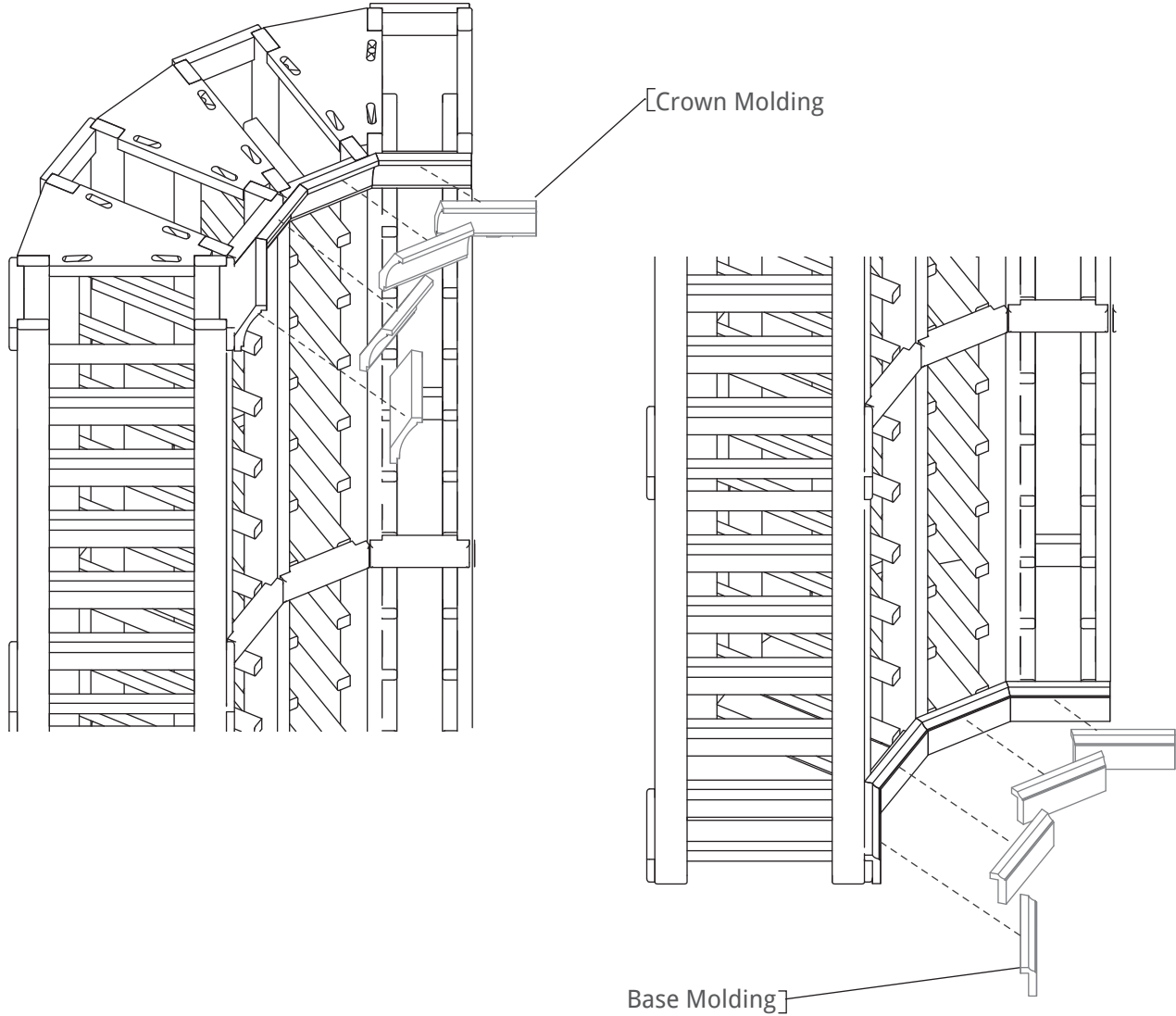
MOLDING AND TOP SHELF ASSEMBLY GUIDE

Questions?
888.373.6057

or visit
wineracksamerica.com

Page 2

For use with Corner racks. Use a nail gun or wood glue to attach corner molding. Make sure the two end molding pieces are flush with the end of the racking.



ATTACHING YOUR TOP SHELF TO THE RACK

