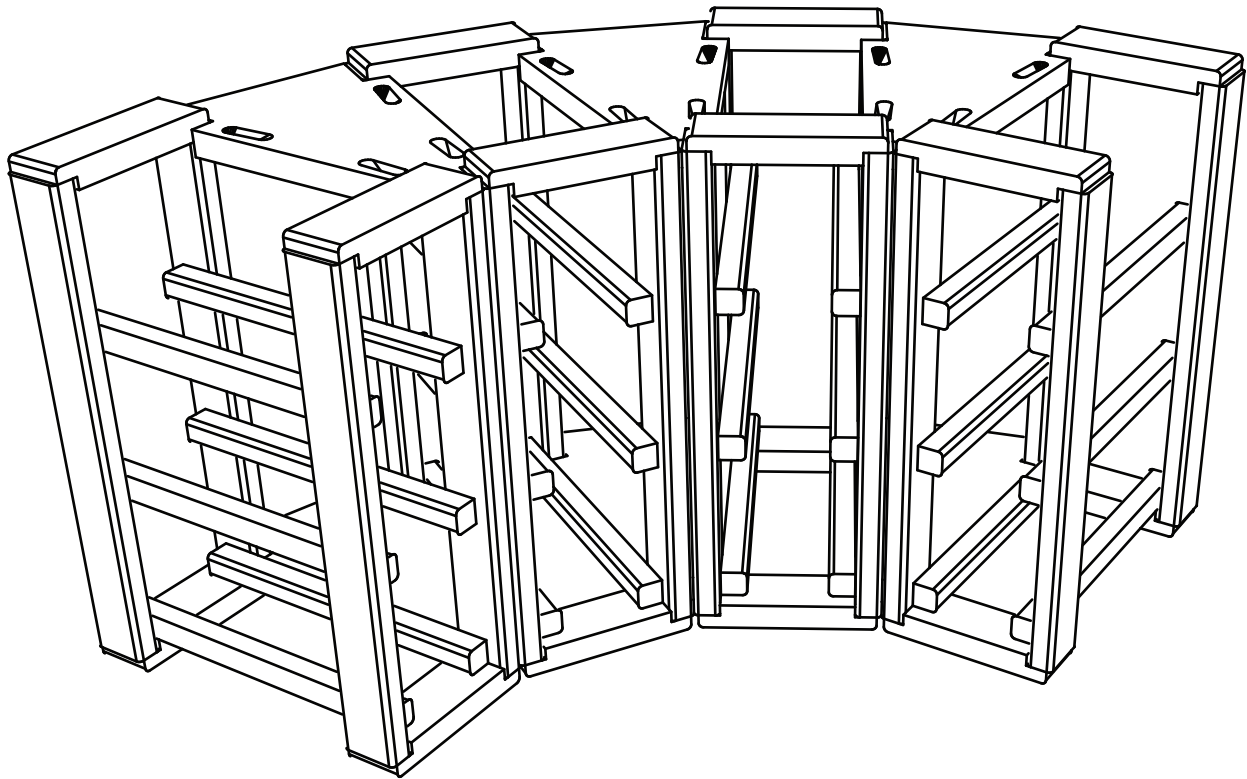




CORNER EXTENDER KITS ASSEMBLY GUIDE

Page 1

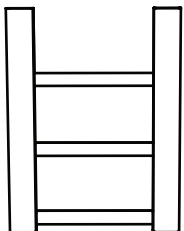
Questions?
888.373.6057
or visit
wineracksamerica.com



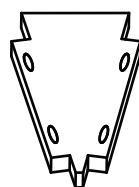
PACKAGE CONTENTS

*Please verify that you have the correct number of parts before proceeding.
Depending on the model you purchased, your bundle should contain the following:

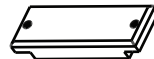
End Ladder (x8)



Corner Wedge
(x6)



Spacer Bar (x16)



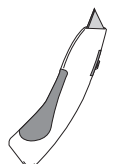
1" Wood Screws



TOOLS FOR ASSEMBLY



Cordless Drill



Utility Knife



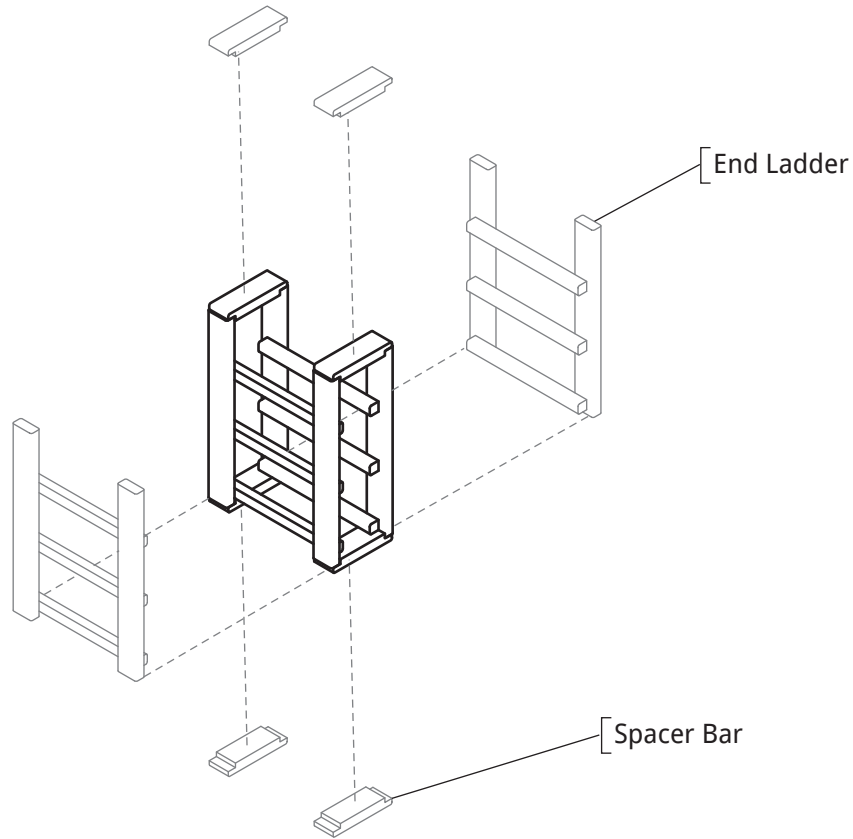
CORNER EXTENDER KITS ASSEMBLY GUIDE

Questions?
888.373.6057

or visit
wineracksamerica.com

Page 2

Step 1: Assemble (4) one columns as follows:



ATTACHING CORNER WEDGE PIECES

Step 2: Attach corner wedge pieces to the risers using 1" screws. Drill pilot holes to guide the screw into the riser and avoid splitting. Follow the same procedure on the bottom of the rack.

